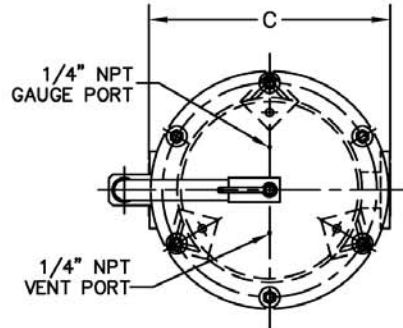


# CARTRIDGE FILTER

IFT MISSISSAUGA, ON. L4W

Model # CF

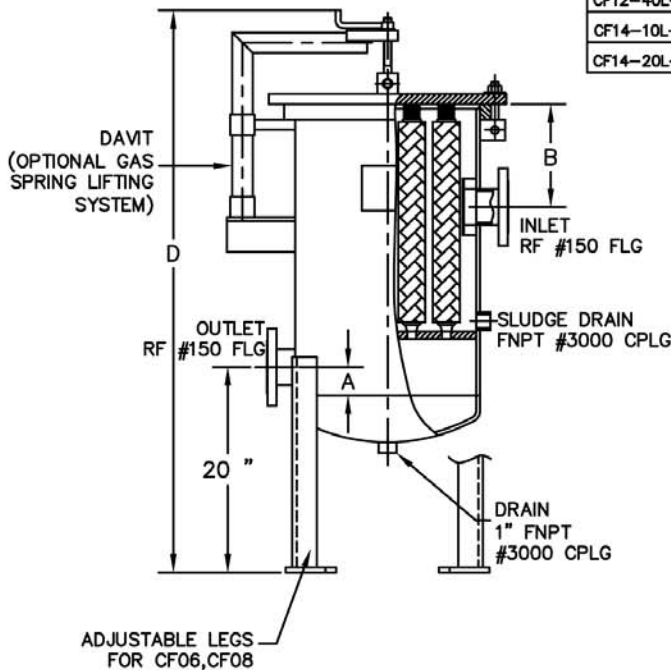
Units: Inches



MODEL	VESSEL DIAMETER	MAX. # OF CARTRIDGES (#2 1/2")	LG. OF CARTRIDGES	INLET/OUTLET	A	B	C	D *	SLUDGE DRAIN
CF06-10L-2F	6 5/8	3	10	2	2 1/4	7	11 5/8	25 3/4	1
CF06-20L-2F	6 5/8	3	20	2	2 1/4	10	11 5/8	35 3/4	1
CF06-30L-2F	6 5/8	3	30	2	2 1/4	16	11 5/8	45 3/4	1
CF06-40L-2F	6 5/8	3	40	2	2 1/4	22	11 5/8	55 3/4	1
CF08-10L-2F	8 5/8	6	10	2	2 1/4	7	13 5/8	26 1/4	1
CF08-20L-2F	8 5/8	6	20	2	2 1/4	10	13 5/8	36 1/4	1
CF08-30L-2F	8 5/8	6	30	2	2 1/4	16	13 5/8	46 1/4	1
CF08-40L-2F	8 5/8	6	40	2	2 1/4	22	13 5/8	56 1/4	1
CF10-10L-2F	10 3/4	8	10	2	2 1/4	7	15 3/4	39	1
CF10-20L-3F	10 3/4	8	20	3	2 3/4	10	16 1/4	49 1/2	1
CF10-30L-3F	10 3/4	8	30	3	2 3/4	16	16 1/4	59 1/2	1
CF10-40L-4F	10 3/4	8	40	4	3 1/4	22	16 3/4	70	1
CF12-10L-2F	12 3/4	12	10	2	2 1/4	7	17 3/4	42 3/4	1
CF12-20L-3F	12 3/4	12	20	3	2 3/4	10	18 1/4	53 3/4	1
CF12-30L-3F	12 3/4	12	30	3	2 3/4	16	18 1/4	63 3/4	1
CF12-40L-4F	12 3/4	12	40	4	3 1/4	22	18 3/4	74 3/4	1
CF14-10L-2F	14	16	10	2	2 1/4	7	19	42 3/4	1
CF14-20L-3F	14	16	20	3	2 3/4	10	19 1/2	53 3/4	1

MODEL	VESSEL DIAMETER	MAX. # OF CARTRIDGES (#2 1/2")	LG. OF CARTRIDGES	INLET/OUTLET	A	B	C	D	SLUDGE DRAIN
CF14-30L-4F	14	16	30	4	3 1/4	16	20	64 3/4	1
CF14-40L-4F	14	16	40	4	3 1/4	22	20	74 3/4	1
CF16-10L-2F	16	22	10	2	2 1/4	7	21	43 3/4	1
CF16-20L-3F	16	22	20	3	2 3/4	10	21 1/2	54 3/4	1
CF16-30L-4F	16	22	30	4	3 1/4	16	22	65 3/4	1
CF16-40L-4F	16	22	40	4	3 1/4	22	22	75 3/4	1
CF18-10L-2F	18	28	10	2	2 1/4	7	23	43 3/4	1
CF18-20L-3F	18	28	20	3	2 3/4	10	23 1/2	54 3/4	1
CF18-30L-4F	18	28	30	4	3 1/4	16	24	65 3/4	1
CF18-40L-6F	18	28	40	6	4 1/4	22	25	77 3/4	1
CF20-10L-2F	20	36	10	2	2 1/4	7	25	43 3/4	2
CF20-20L-3F	20	36	20	3	2 3/4	10	25 1/2	54 3/4	2
CF20-30L-4F	20	36	30	4	3 1/4	16	26	65 3/4	2
CF20-40L-6F	20	36	40	6	4 1/4	22	27	77 3/4	2
CF24-10L-2F	24	53	10	2	2 1/4	7	29	43 3/4	2
CF24-20L-3F	24	53	20	3	2 3/4	10	29 1/2	54 3/4	2
CF24-30L-4F	24	53	30	4	3 1/4	16	30	65 3/4	2
CF24-40L-6F	24	53	40	6	4 1/4	22	31	77 3/4	2

\* For CF06, CF08, it's not include the length of adjustable legs



## SPECIFICATIONS

- Design Code ASME Sec. VIII Div. 1
- AVAILABLE MATERIAL: Carbon Steel, SS316/304...
- STANDARD DESIGN RATING: 150 PSIG @ 225 Deg. F, Other on Request  
MIN. DESIGN METAL TEMP: -20 Deg. F. @ 150 PSIG, or Per Spec.
- FINISH: Blasted and Painted for CS  
Glass Bead for SS Vessels, or to Meet Spec.
- CARTRIDGE: Double Open End
- INLET/OUTLET OPTION: RF Flange, Half Coupling, Other Available on Request
- BOLTS AND HEX NUTS: Plated Carbon Steel, or to Meet Specification
- O'RINGS: Buna N or EPDM Standard  
Viton, TEV or other optional
- ASME Code Stamp Available
- Special Coating or High Polish Available on Request